

5028-A

AIR APPLIED CALIPER DISC BRAKE

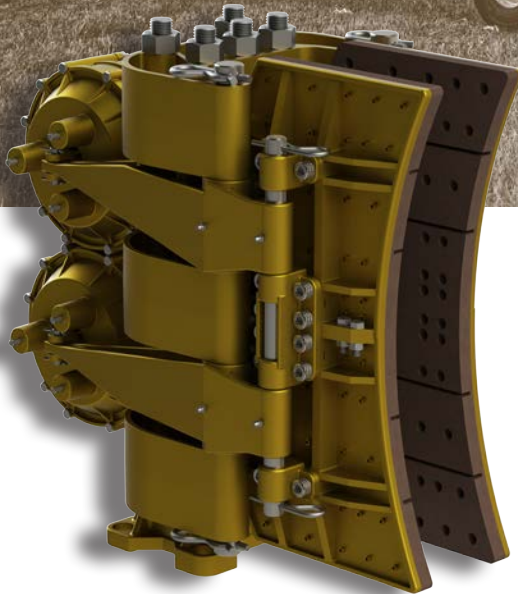


KEY BENEFITS

Bronze & stainless steel construction

Easily changed brake pads

Well matched to Kobelt's standard range of 4" x 10" ventilated discs



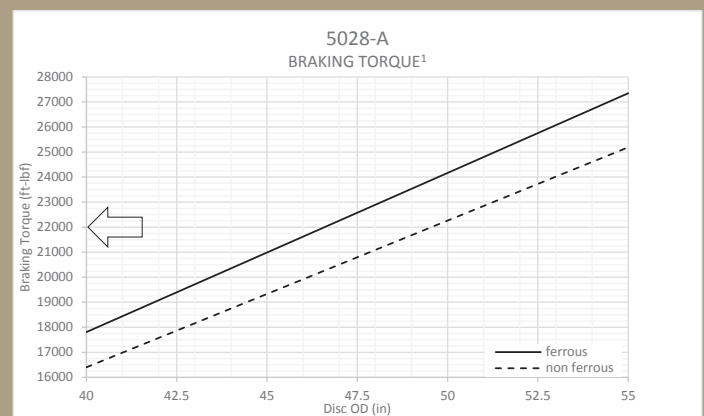
Putting you in control.

For over three decades, Kobelt has been manufacturing air applied disc brakes using a double diaphragm design for accurate braking control. Constructed of bronze and stainless steel, Kobelt's disc brakes are built to last in the harshest conditions.

Available with several options, these caliper disc brakes are well suited for service braking applications on drawworks, work boats and more.

SPECIFICATIONS

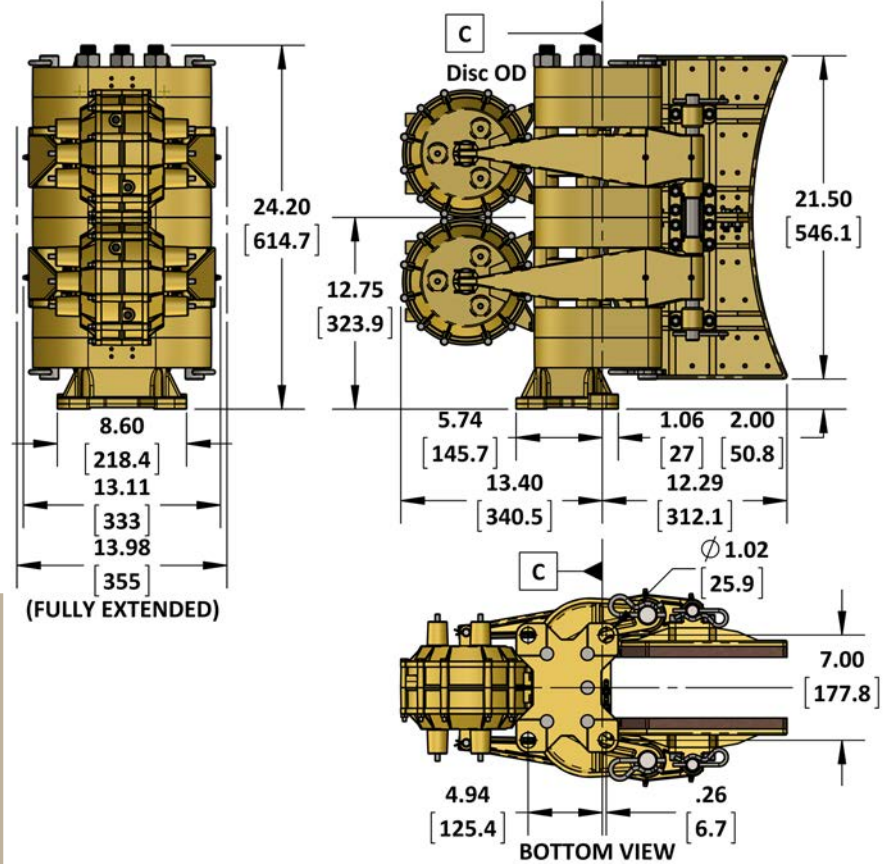
Normal Force:	20,080 lbs	[89.4 KN]
Maximum Pressure:	100 psi	[6.9 bar]
Port Size:	¼ NPT	
Temperature Range:	-40°F...+131°F -40°C...+55°C	
Disc Thickness:	4 in	[102 mm]
Minimum Disc Diameter:	42 in	[1067 mm]
Maximum Disc Diameter :	52 in	[1321 mm]
Pad Life:	13490 hp-hr	[10060 kw-hr]
Weight:	348 lbs	[158 kg]



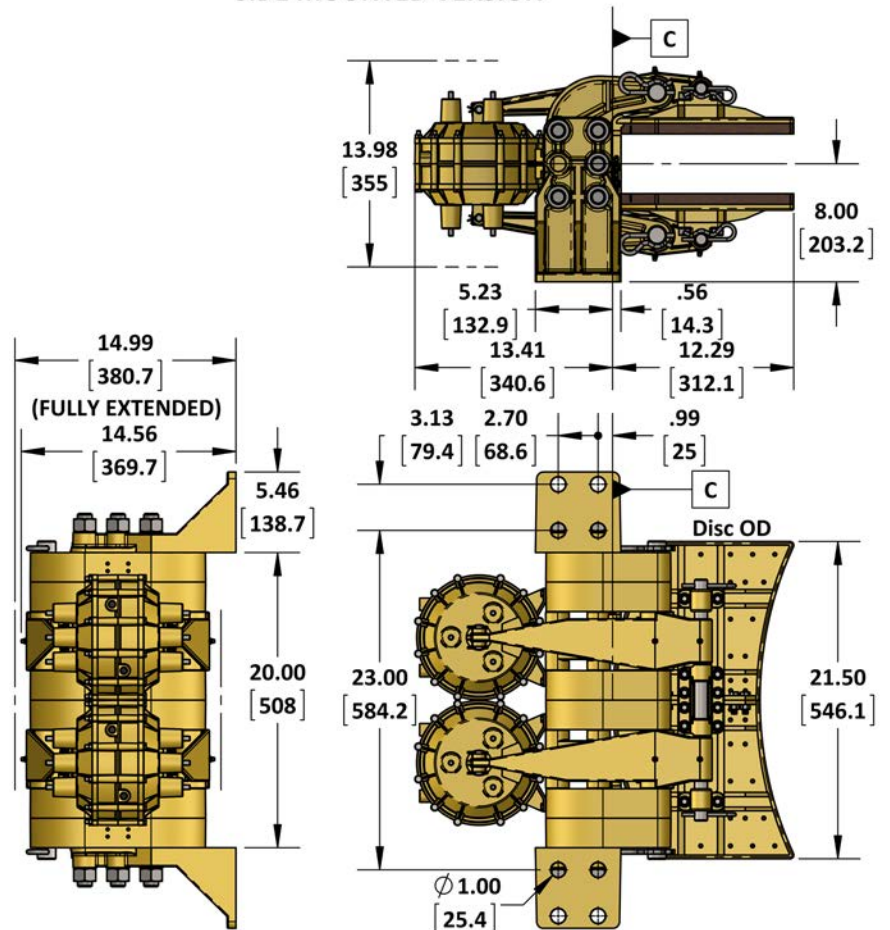
¹ Values in this chart are theoretical and for reference only. They are based on properly bedded and burnished linings acting on a ductile iron rotor at 20°C and manufactured to required specifications.

SPECIFICATIONS

FOOT MOUNTED VERSION



SIDE MOUNTED VERSION



Brake Model Code Key

5028-A - -

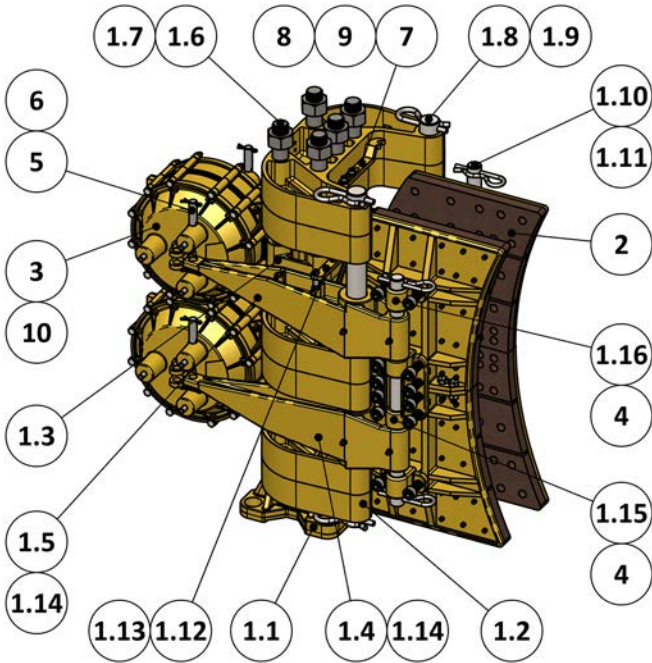
Friction material
 (blank) = standard
 N = non-sparking
 C = low COF (.12-.15)
 E = mid COF (.25-.28)

Disc thickness
 (blank) = 4.000 in
 350 = 3.500 in
 300 = 3.000 in
 250 = 2.500 in
 200 = 2.000 in

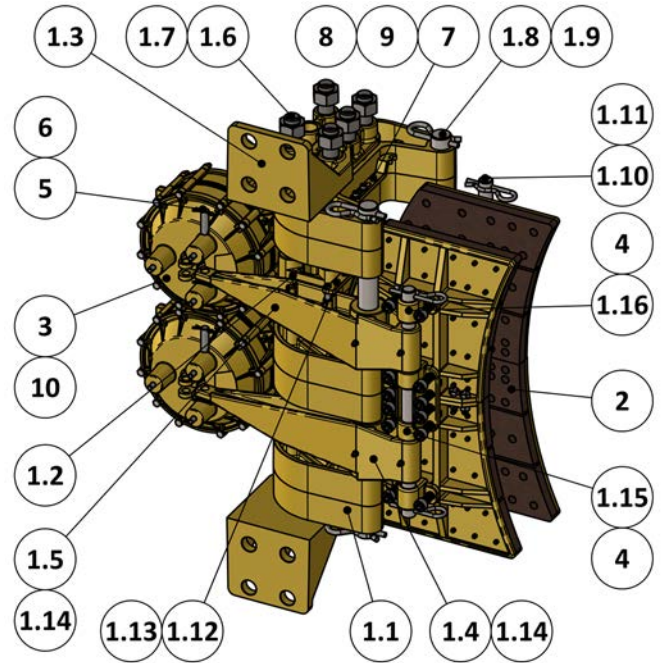
Mounting code
 (blank) = foot mounted
 W = side mounted

PARTS LISTING

5028-A Caliper Brake



5028-AW Caliper Brake

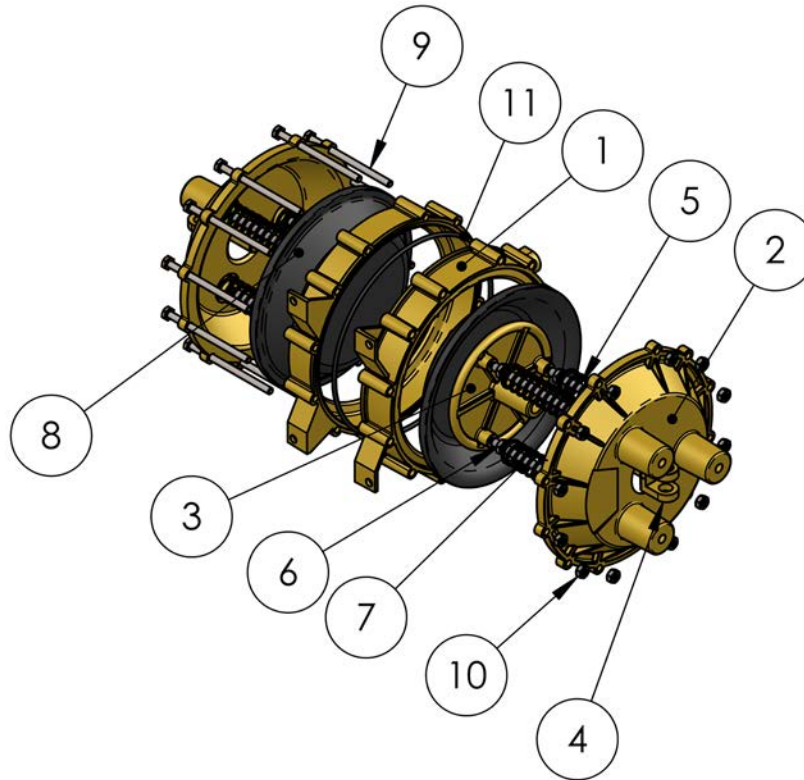


ITEM	QTY.	PART NUMBER	5028-A DESCRIPTION
1	1	5028-SUB	SUB-ASSEMBLY, 5028 CALIPER
1.1	1	5028-0001	FOOT, 5028 CALIPER
1.2	3	5028-0002	SADDLE, 5028 CALIPER
1.3	2	5028-0003	SPACER, 5028 CALIPER
1.4	2	5028-0004L	LEVER ARM, 5028 CALIPER, LEFT
1.5	2	5028-0004R	LEVER ARM, 5028 CALIPER, RIGHT
1.6	5	5028-0023	TIE ROD, 5028 CALIPER
1.7	5	1022-0123	NUT, HEX, 1-8 UNC, ASTM F594D
1.8	2	5028-0022	MAIN PIN, 5028 CALIPER
1.9	4	1039-0553	HITCH PIN, 5/16 X 4, STEEL
1.10	2	5026-0028	PIVOT PIN, 5026/28 CALIPERS
1.11	4	1039-0470	HITCH PIN, 1/4 X 4-1/4, STEEL
1.12	2	5028-0011	BALANCING LINK NO. 2, 5028 CALIPER
1.13	2	5028-0025	BALANCING LINK PIN, 5028 CALIPER
1.14	8	1501-0301	GREASE NIPPLE, 1/4-28
1.15	2	5028-0013	PIVOT BLOCK, INNER, 5028 CALIPER
1.16	4	5028-0014	PIVOT BLOCK, OUTER, 5028 CALIPER
2	2	5028-LS	SHOE ASSEMBLY, 5028 CALIPER
3	2	6130	AIR APPLIED ACTUATOR, 6130
4	24	1002-1420	SCREW, SKT HD, 1/2-13 UNC X 1-1/4, SS
5	4	6230-0010	CLEVIS PIN, 1/2" DIA
6	8	1026-0516	COTTER PIN, 1/8" X 1", SS
7	2	5028-0012	BALANCING LINK NO. 1, 5028 CALIPER
8	4	1023-0216	FLAT WASHER, 1/4, TYPE B, NARROW
9	4	1002-1010	SHCS, 1/4-20 UNC X 5/8 LG, 18-8 SS
10	8	1001-1008	SCREW, HEX HD, 1/4-20 UNC X 1/2, SS

ITEM	QTY.	PART NUMBER	5028-AW DESCRIPTION
1	1	5028-SUB-SW	SUB-ASSEMBLY, 5028 CALIPER
1.1	3	5028-0002	SADDLE, 5028 CALIPER
1.2	2	5028-0003	SPACER, 5028 CALIPER
1.3	2	5028-0060	SIDE WALL MOUNT, 5028 CALIPER
1.4	2	5028-0004L	LEVER ARM, 5028 CALIPER, LEFT
1.5	2	5028-0004R	LEVER ARM, 5028 CALIPER, RIGHT
1.6	5	5028-0024	TIE ROD, 5028 CALIPER
1.7	10	1022-0123	NUT, HEX, 1-8 UNC, ASTM F594D
1.8	2	5028-0022	MAIN PIN, 5028 CALIPER
1.9	4	1039-0553	HITCH PIN, 5/16 X 4, STEEL
1.10	2	5026-0028	PIVOT PIN, 5026/28 CALIPERS
1.11	4	1039-0470	HITCH PIN, 1/4 X 4-1/4, STEEL
1.12	2	5028-0011	BALANCING LINK NO. 2, 5028 CALIPER
1.13	2	5028-0025	BALANCING LINK PIN, 5028 CALIPER
1.14	8	1501-0301	GREASE NIPPLE, 1/4-28
1.15	2	5028-0013	PIVOT BLOCK, INNER, 5028 CALIPER
1.16	4	5028-0014	PIVOT BLOCK, OUTER, 5028 CALIPER
2	2	5028-LS	SHOE ASSEMBLY, 5028 CALIPER
3	2	6130	AIR APPLIED ACTUATOR, 6130
4	24	1002-1420	SCREW, SKT HD, 1/2-13 UNC X 1-1/4, SS
5	4	6230-0010	CLEVIS PIN, 1/2" DIA
6	8	1026-0516	COTTER PIN, 1/8" X 1", SS
7	2	5028-0012	BALANCING LINK NO. 1, 5028 CALIPER
8	4	1023-0216	FLAT WASHER, 1/4, TYPE B, NARROW
9	4	1002-1010	SHCS, 1/4-20 UNC X 5/8 LG, 18-8 SS
10	8	1001-1008	SCREW, HEX HD, 1/4-20 UNC X 1/2, SS

PARTS LISTING

6130 Actuator



ITEM	QTY.	PART NUMBER	6130 DESCRIPTION
1	2	6130-0002	CENTRE HOUSING, 6130 ACTUATOR
2	2	6130-0001	END CAP, 6130 ACTUATOR
3	2	6130-0003	DIAPHRAGM WASHER, 6130 ACTUATOR
4	2	6130-0005	CLEVIS, 6130 ACTUATOR
5	6	6130-0007	GUIDE PIN, 6130 ACTUATOR
6	6	1022-0211	NUT, JAM, 5/16-18 UNC, SS
7	6	1201-0162	SPRING, COMPRESSION, .830 OD X .080 WIRE X 4.43 L
8	2	1105-0030	DIAPHRAGM, NO. 30 SIZE
9	12	1001-1064	SCREW, HEX HD, 1/4-20 X 4 LG, GR 18-8
10	12	1022-0110	NUT, HEX, 1/4-20 UNC, SS
11	1	1101-1265	O-RING, 7-3/4 ID X 1/8 THK, NBR70

Note: Parts lists are applicable to standard models only.