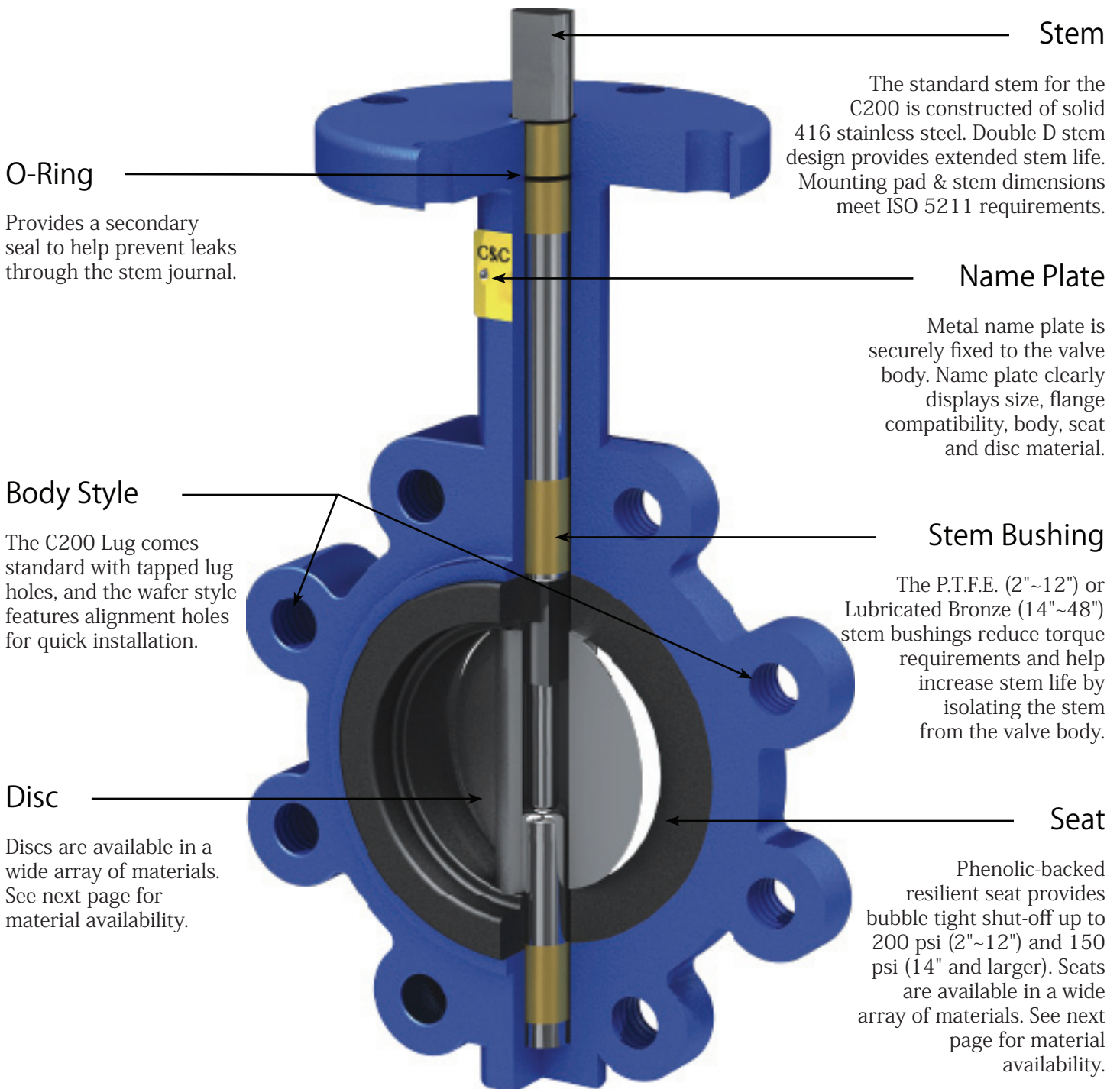
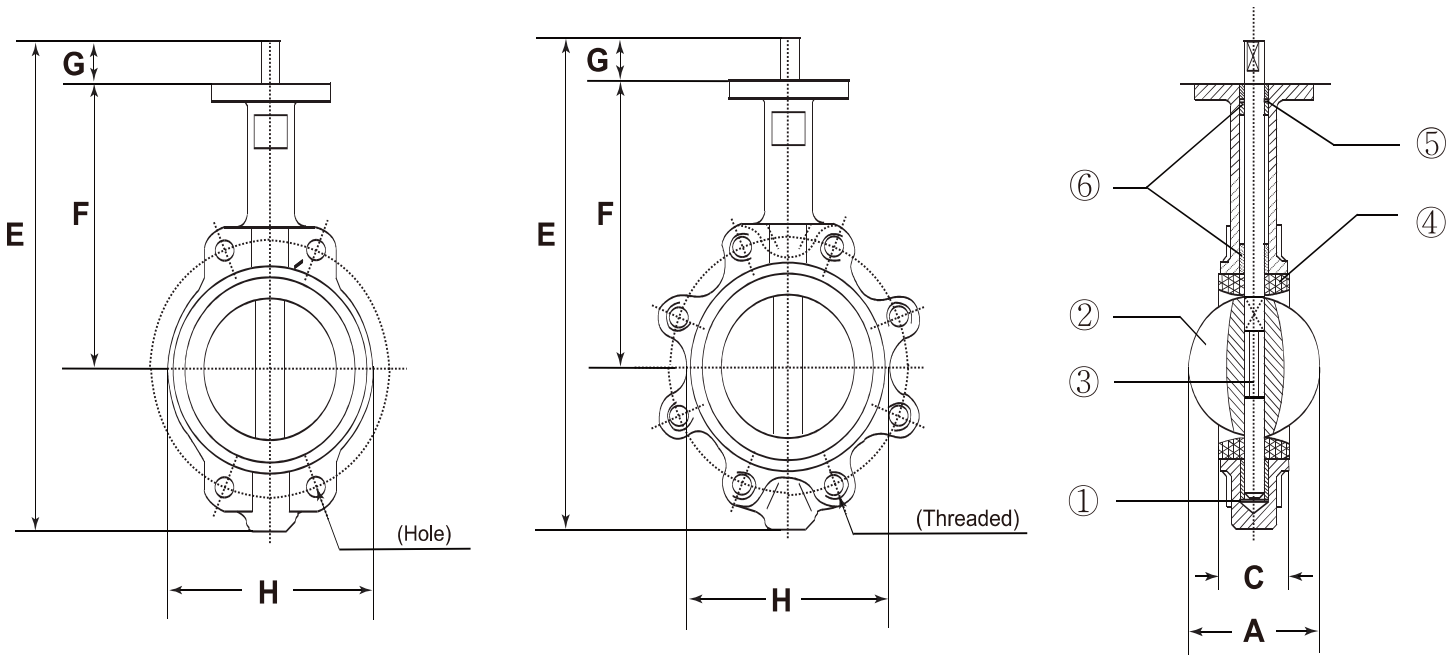


C200 Series

Wafer and Lug Style Butterfly Valve

The C200 series achieves a perfect balance of economy and durability. The C200 is a general purpose valve designed to meet the needs of many different industries including HVAC, oil and gas production, agriculture, chemical and petrochemical, waste water, and mining. The C200 is pressure rated to 200 PSI for sizes 2"~12" and 150 PSI for sizes 14"~48".





Materials of Construction

No.	Description	Material
1	Body	Ductile Iron ASTM A536, WCB Gr 216A* A351 CF8M* A351 CF8*
2	Disc	Ductile Iron (Ni Plated), Ductile Iron (Nylon Coated), Aluminum Bronze, CF8M (316 SS), CF8 (304SS)* Monel**
3	Stem	416 Stainless Steel, 304 Stainless Steel* 316 Stainless Steel* Monel**
4	Seat	BUNA-N, E.P.D.M., F.K.M.(Viton®), P.T.F.E. (Teflon®), Neoprene**, Hypalon**
5	O-ring	BUNA-N (Viton® Optional)
6	Bushing	P.T.F.E. (2"-12"), Lubricated Bronze (14"-24")

*Asterisk denotes factory availability only

Dimensional Data

Size	A		C		E		F		G		H		Wafer Weight		Lug Weight	
	in	mm	in	mm	in	mm	in	mm	in	mm	in	mm	lbs	Kg	lbs	Kg
2"	2.07	52.60	1.65	42.04	10.74	273.00	6.33	161.00	1.25	32.00	3.94	100.00	8	4	10	5
2.5"	2.53	64.30	1.75	44.68	11.65	296.00	6.88	175.00	1.25	32.00	4.72	120.00	10	5	12	5
3"	3.10	78.80	1.77	45.21	12.12	308.00	7.12	181.00	1.25	32.00	5.00	127.00	11	5	13	6
4"	4.09	104.04	2.05	52.07	13.62	346.00	7.87	200.00	1.25	32.00	6.49	165.00	13	6	21	10
5"	4.85	123.30	2.14	54.36	14.64	372.00	8.38	213.00	1.25	32.00	7.28	185.00	18	8	25	11
6"	6.11	155.38	2.19	55.75	15.62	397.00	8.89	226.00	1.25	32.00	8.34	212.00	20	9	29	13
8"	7.95	202.15	2.38	60.58	18.89	480.00	10.23	260.00	1.77	45.00	10.55	268.00	35	16	48	22
10"	9.84	250.15	2.63	67.00	21.25	540.00	11.49	292.00	1.77	45.00	13.42	341.00	47	21	69	31
12"	11.86	301.45	3.02	76.90	24.17	614.00	13.26	337.00	1.77	45.00	15.74	400.00	77	35	108	49
14"	13.01	330.50	3.01	76.50	26.77	680.00	14.48	368.00	1.77	45.00	17.16	436.00	95	43	158	72
16"	15.33	389.61	3.40	86.50	29.44	748.00	15.74	400.00	2.00	50.80	19.29	490.00	114	52	198	90
18"	17.34	440.51	4.15	105.60	31.02	788.00	16.61	422.00	2.00	50.80	21.22	539.00	191	87	244	111
20"	19.35	491.64	5.18	131.80	36.27	921.50	18.89	480.00	2.26	57.45	23.34	593.00	216	98	271	123
24"	23.32	592.50	5.98	152.00	42.23	1072.80	22.12	562.00	2.75	69.85	31.49	800.00	293	133	392	178