

# Figure 602

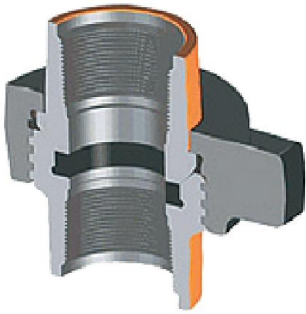


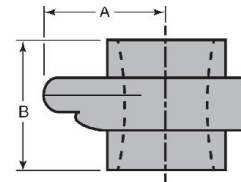
Figure 602 has a replaceable lip-type seal ring of Buna-N specifically designed to minimize fluid flow turbulence. The replaceable lip-type ring also provides a pressure seal and protection for the metal-to-metal seating surfaces. These unions are recommended for manifold and truck mounting where size and weight are critical. Recommended for air, water, oil, gas or mud service up to 6,000 PSI NSCWP.

Standard Service		H2S Service	
NSCWP	Test	NSCWP	Test
6,000 PSI	9,000 PSI	6,000 PSI	9,000 PSI

\*All Working Pressures are Non-shock Cold Working Pressure Ratings (NSCWP)

## Figure 602 Threaded Color Code: Orange Subs/Black Nut

Nominal Pipe Size	1"	1 1/2"	2"	3"	4"
Qty. / Box Part No.	32 U620100	10 U621500	6 U620200	3 U620300	2 U620400
Clearance Radius (A)	2.15"	3.00"	3.60"	4.50"	4.875"
End to End Threaded (B)	3.55"	4.875"	5.30"	6.25"	8.125"
Weight (lbs)	3.88	10.75	15.00	26.67	37.00
Material, Sub Material, Nut	4130 AS 4140 AS	4140 AS 4140 AS	4130 AS 4140 AS	4130 AS 4140 AS	4130 AS 4140 AS



## Figure 602 Butt Weld Schedule 80, 160 and XXH Color Code: Orange Subs/Black Nut

Nominal Pipe Size	2"	3"	4"
Qty. / Box Part No.	6 *	4 *	2 *
Clearance Radius (A)	3.60"	4.50"	4.875"
End to End (B)	5.09"	5.375"	5.625"
Weight (lbs)	17.00	28.00	36.00
Material, Sub Material, Nut	4130 AS 4140 AS	4130 AS 4140 AS	4130 AS 4140 AS

\*Part numbers vary per butt weld schedule

